

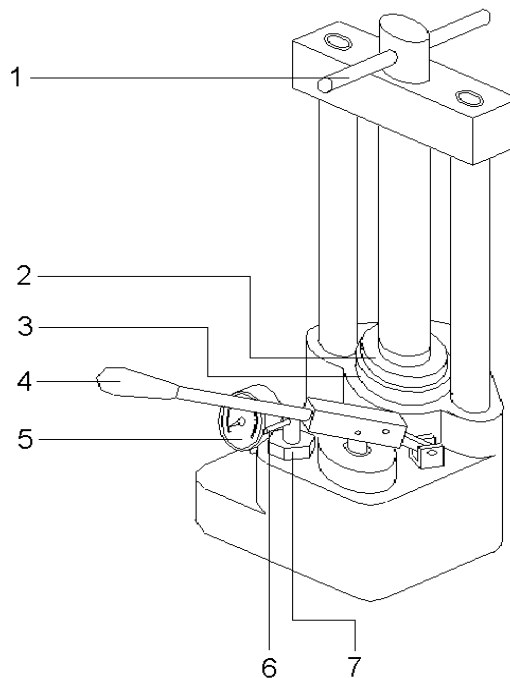
HYDRAULIC PRESS

PRESS

 MAINTENANCE AND INSTRUCTION MANUAL



INSTRUCTIONS FOR USE AND MAINTENANCE



- POS. 1: SCREW LEVER
- POS. 2: UPPER PLATE
- POS. 3: LOWER PLATE
- POS. 4: PUMP LEVER
- POS. 5: PRESSURE GAUGE
- POS. 6: COCK LEVER
- POS. 7: COCK SCREW

When the flask is ready, turn the central screw by means of the lever 1 to lift the upper plate. To carry out this operation, it is necessary that the press is NOT under pressure: open cock 6 to check it.

Introduce the flask and tighten it between the two plates by means of lever 1.

Close the cock by turning lever 6 clockwise.

Use the lever 4 to put under pressure: after some pumping, the pointer of the pressure gauge 5 will move until the working pressure is achieved.

The correct pressure exerted on the flasks is 200 bar.

We recommend not to use pressures exceeding 200 bar: a too high thrust may damage the flasks.

The construction is leak-proof, therefore no oil must be added. In any case if, during transport, some oil has leaked, it can be poured in the tank by unloosing the screw of cock 7.

A normal hydraulic oil currently available on the market can be used.

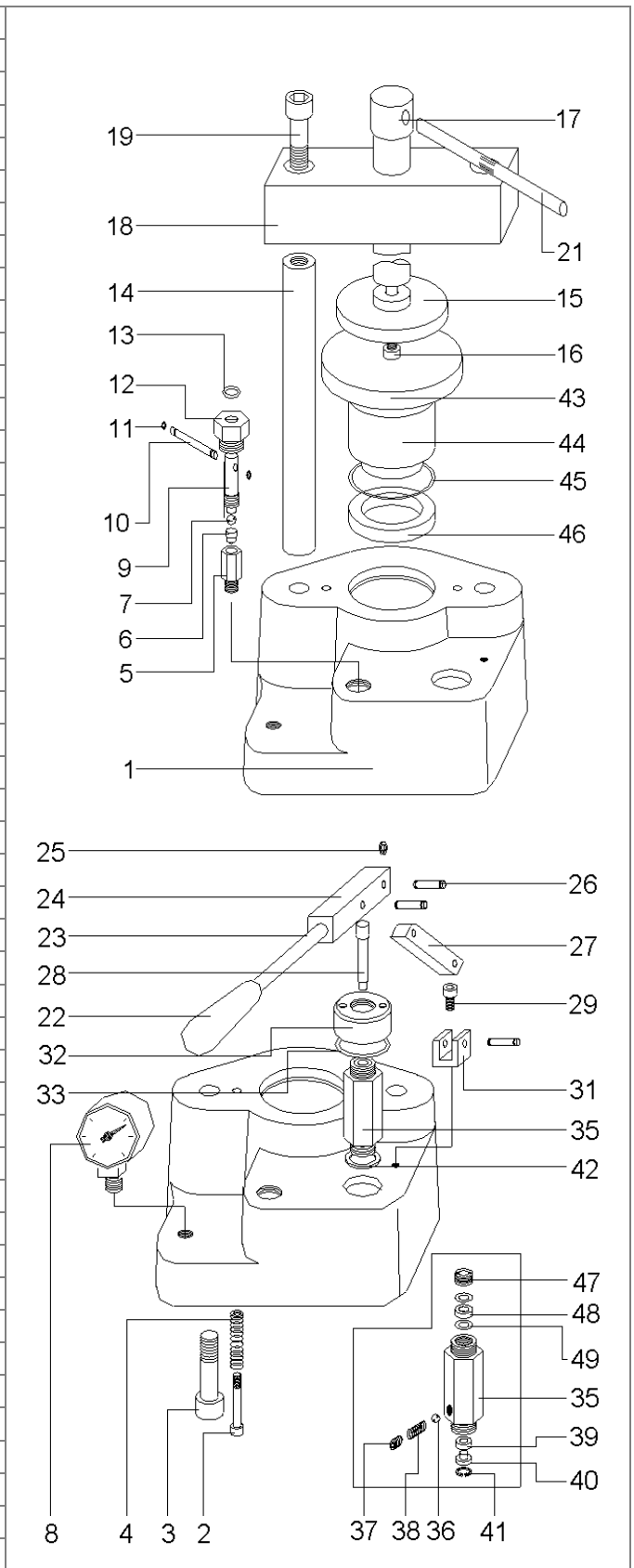
We recommend to keep the press always well clean in order to avoid that either dust or dirty particles enter the hydraulic circuit.

ATTENTION: DO NOT USE IN ANY CASE PRESSURE EXCEEDING 400 BAR!

For any maintenance operation, we suggest to contact your dealer or a skilled repairer.

HYDRAULIC PRESS SPARE-PART LIST

POS	CODE	DESCRIPTION
1	5701010	Bedplate
2	-	M5x70 Screw
3	-	M14x45 Screw
4	5701019	Spring
5	5701020	Cock seat
6	5701021	Pin
7	5701022	Ball
8	5701018	Pressure gauge
9	5701023	Cock
10	5701024	Cock rod
11	NPOR2012	OR 2012 joint
12	5701025	Cock ring nut
13	NPOR112	OR 112 joint
14	5701014	Column
15	5701015	Plate
16	-	M6x12 Screw
17	5701012	TPN 30 Screw
18	5701011	Crosspiece
19	-	M14x45 Screw
21	5701013	Screw lever
22	5701026	Knob
23	5701027	Pump lever </td
24	5701028	End of lever
25	5701029	Benzing 4 ring
26	5701030	Pin
27	5701031	Link rod
28	5701044	Pump piston
29	-	M5x20 Screw
31	5701032	Support
32	5701033	Ring nut
33	NPOR3137	OR 3137 Joint
35	5701034	Pump body
35P	5701002	Assembled pump
36	5701035	Ball
37	-	M6x8 screw
38	5701036	Spring
39	5701037	UM 125 Joint
40	5701038	Valve
41	5701039	Seeger I 12
42	5701040	½ Gas Washer
43	5701016	Plate
44	5701017	Piston
45	NPOR3275	OR 3275 Joint
46	5701041	UM 7050 Joint
47	5701042	Cock ring nut
48	5701043	Spacer
49	NPOR3030	OR 3030 Joint



TECHNICAL SPECIFICATIONS

WORKING PRESSURE	200 BAR
MAX PRESSURE	400 BAR
WORKING THRUST	75000 N
MAX. THRUST	150000 N
MAX. SPACE BETWEEN DISKS	235 MM
FLASK CAPACITY	UP TO 3
HEIGHT	480 MM
LARGE	200 MM
DEPTH	190 MM
WEIGHT	20 KG

TECHNICAL REFERENCE REGULATIONS AND TEST PROCEDURES

This equipment is mass-manufactured by Dentalfarm in compliance with technical and safety rules in force, as provided for by the 2006/42 EEC Community Directive on machinery. The product is labelled CE and accompanied by a Declaration of Conformity.

Careful inspection and full routine testing are carried out singularly on each machine.

DEMOLITION AND WASTE DISPOSAL

This unit is not classified as AEE (electric and electronic device, whose correct operation depends on electric currents and electromagnetic fields); therefore, the Directive 2002/96 EEC does not apply.

DENTALFARM s.r.l.

Via Susa, 9/a - 10138 TORINO – ITALY

 (+39) 011/4346632 - 011/4346588

 011/ 4346366

E-mail: [**info@dentalfarm.it**](mailto:info@dentalfarm.it)

[**www.dentalfarm.it**](http://www.dentalfarm.it)